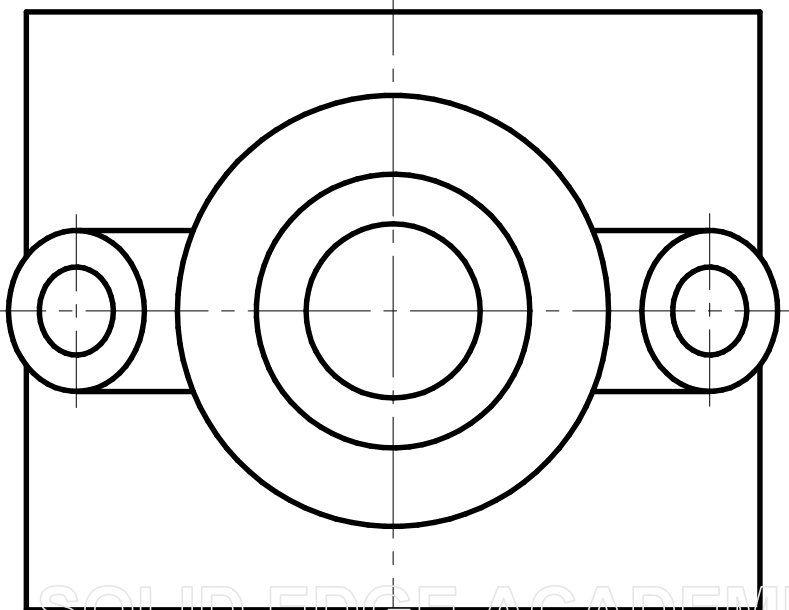
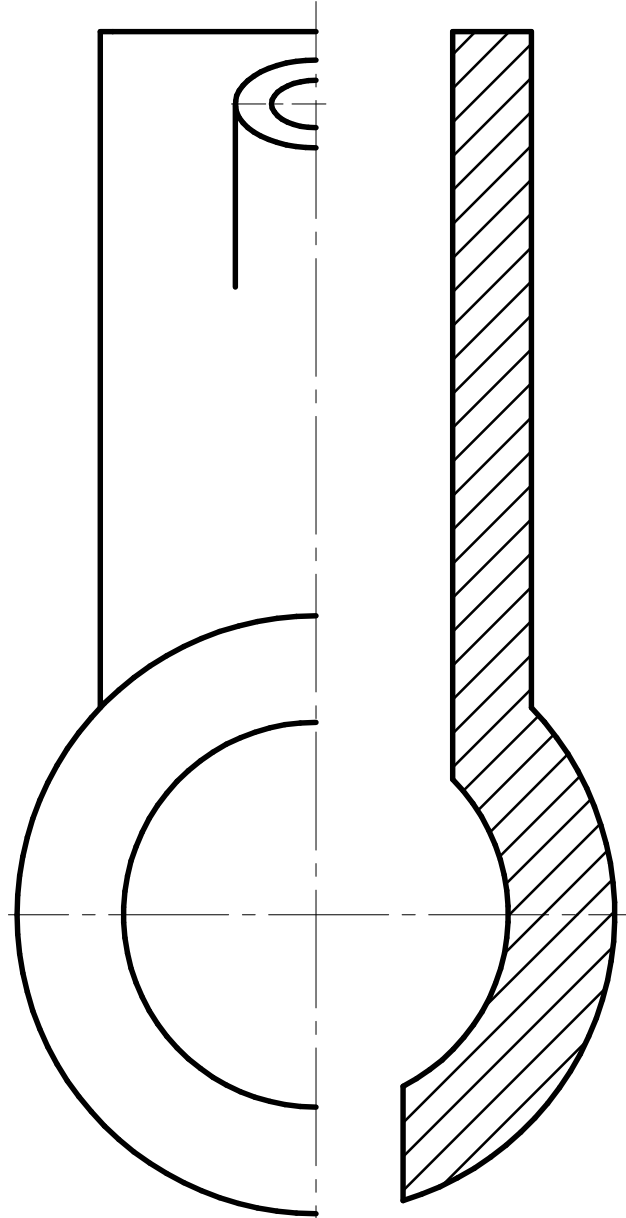
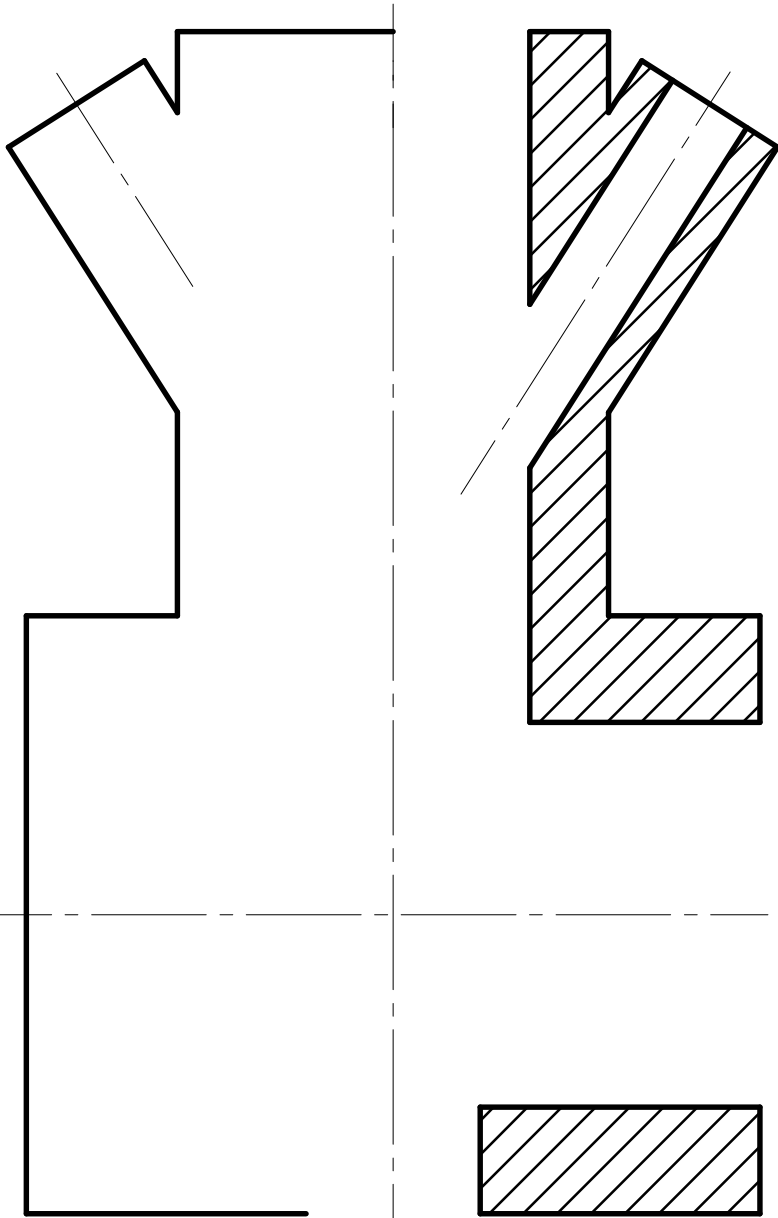


**Problem 2.** Determine the curves of intersection of particular surfaces.



.....  
*Student's Name*